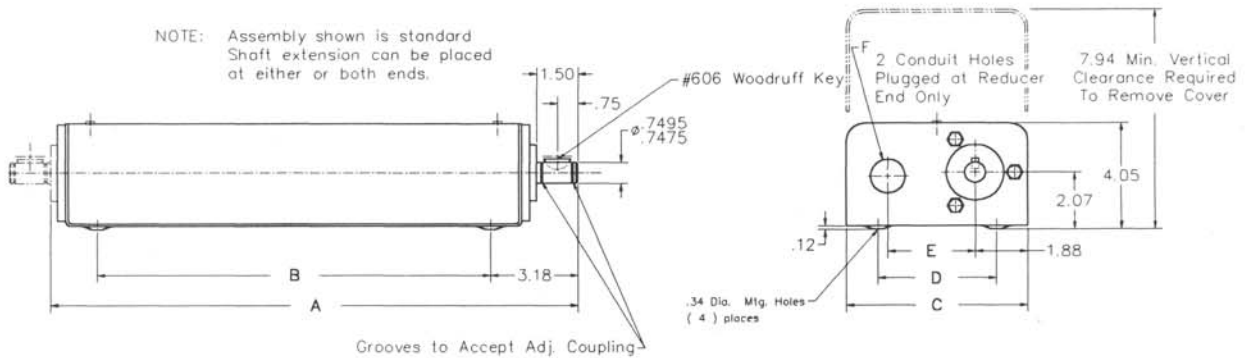


Simple, Reliable Control of Rotary Motion

ENCLOSURE DIMENSIONS

Page 11

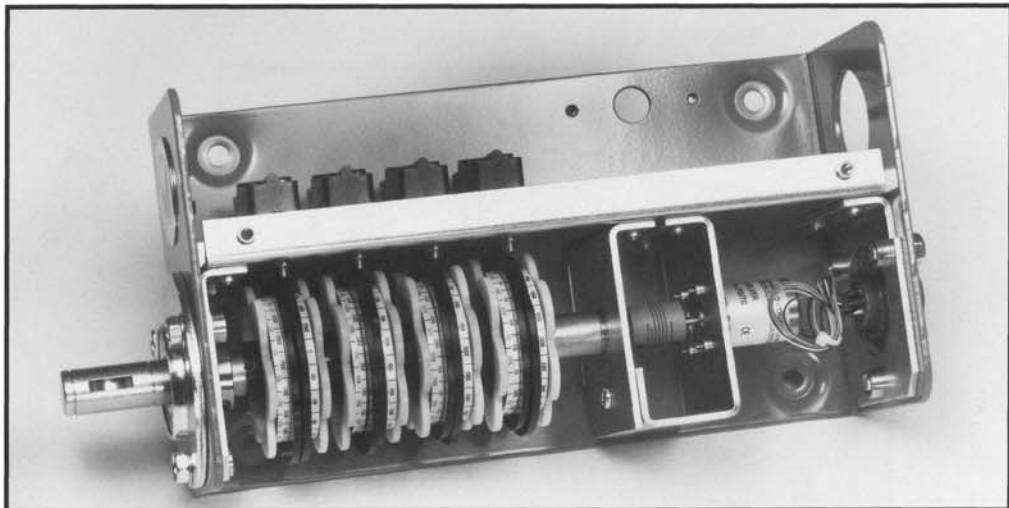
NEMA 1



Note: For Cam / Resolver Combination units, add 4 circuit spaces to the enclosure dimensions. Ex: K80-R1-104-R-SP will dimensionally be the same as a 7-8 circuit enclosure.

| Number of Circuits | A | B | C | D | E | F | Approx. Weight |
|--------------------|-------|-------|------|------|------|------|----------------|
| 2 thru 4 | 9.28 | 4.42 | 6.50 | 5.00 | 3.12 | .75 | 12 lbs. |
| 5 thru 6 | 11.72 | 6.86 | 6.50 | 5.00 | 3.12 | 1.25 | 14 lbs. |
| 7 thru 8 | 14.16 | 9.30 | 6.50 | 5.00 | 3.12 | 1.25 | 16 lbs. |
| 9 thru 12 | 19.04 | 14.18 | 6.50 | 5.00 | 3.12 | 1.25 | 21 lbs. |

Nema 1, 4 Circuit Cam / Resolver unit

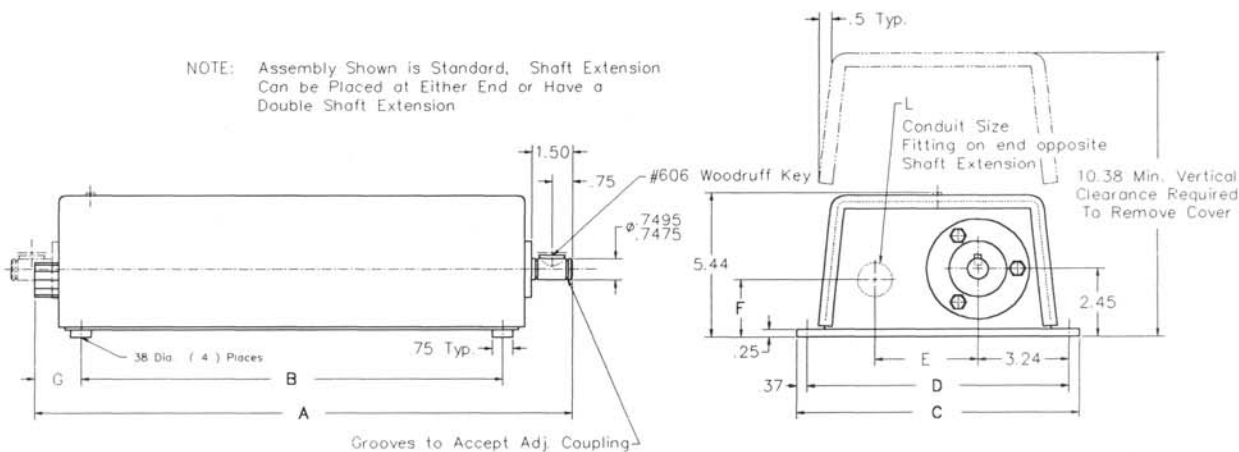


K80 ROTATING CAM LIMIT SWITCHES

ENCLOSURE DIMENSIONS

NEMA 12

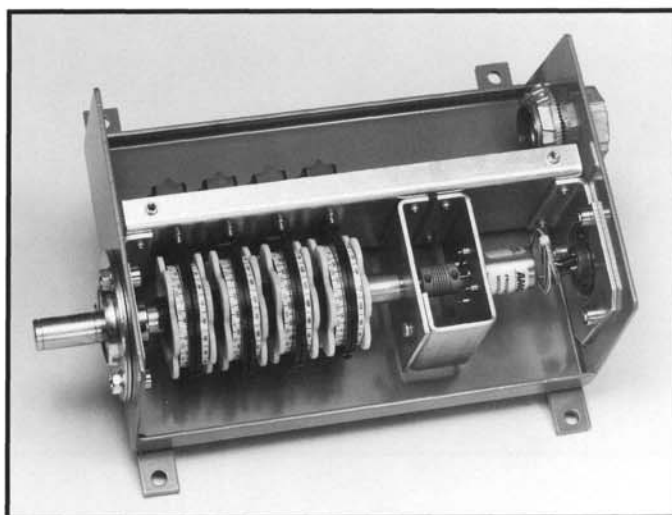
NOTE: Assembly Shown is Standard. Shaft Extension Can be Placed at Either End or Have a Double Shaft Extension



Note: For Cam / Resolver Combination units, add 4 circuit spaces to the enclosure dimension. Ex: K80-R1-1204-R-SP will dimensionally be the same as a 7-8 circuit enclosure.

| Number of Circuits | A | B | C | D | E | F | Approx. Weight |
|--------------------|-------|-------|-------|------|------|------|----------------|
| 2 thru 4 | 9.69 | 5.45 | 10.12 | 9.38 | 3.69 | .75 | 18 lbs. |
| 5 thru 6 | 12.24 | 7.89 | 10.12 | 9.38 | 3.69 | 1.25 | 24 lbs. |
| 7 thru 8 | 14.68 | 10.33 | 10.12 | 9.38 | 3.69 | 1.25 | 26 lbs. |
| 9 thru 12 | 19.56 | 15.21 | 10.12 | 9.38 | 3.69 | 1.25 | 32 lbs. |

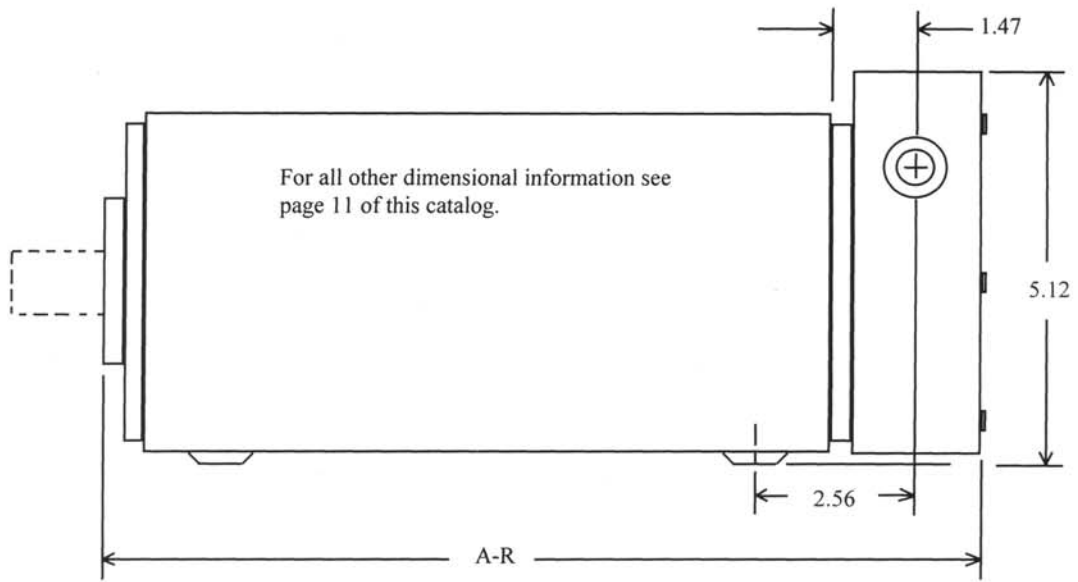
Nema 12, 4 Circuit cam / resolver unit



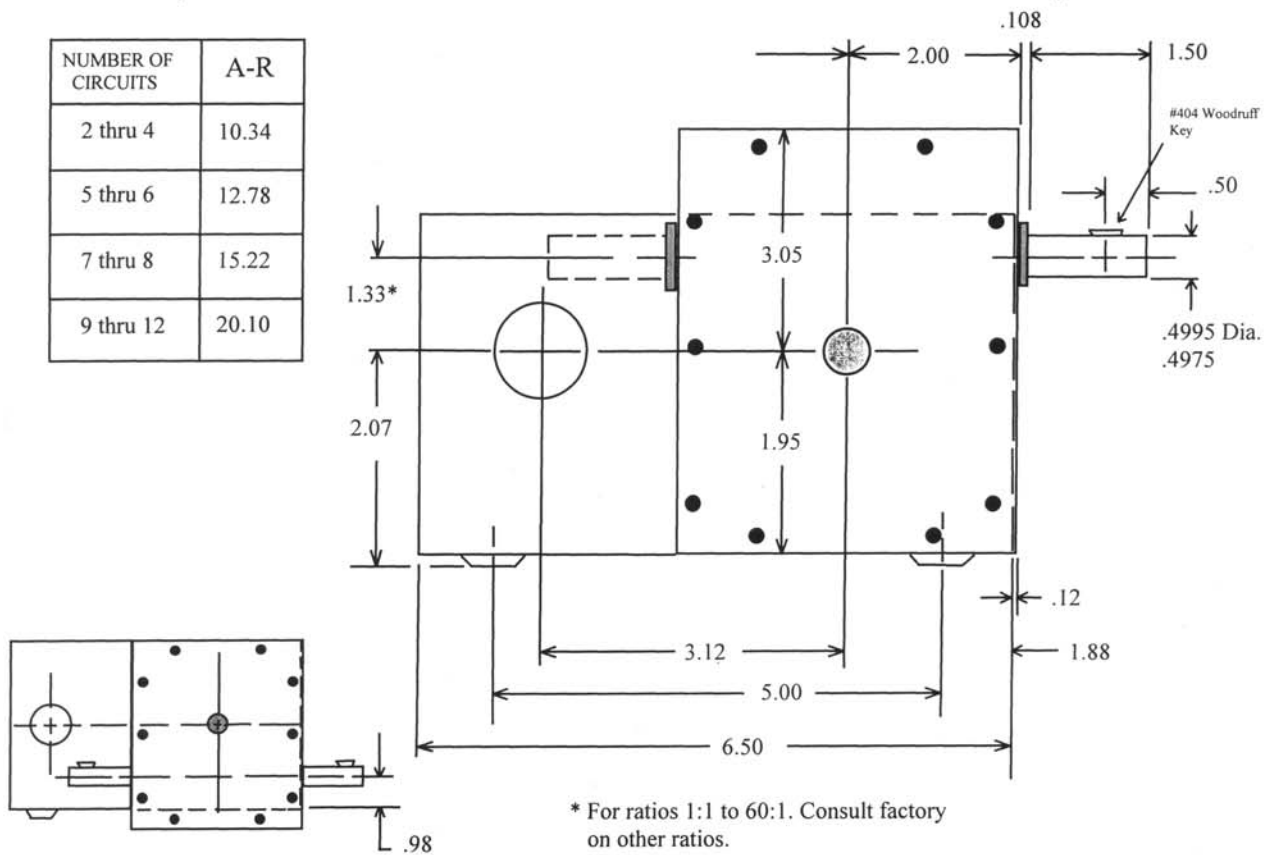
Simple, Reliable Control of Rotary Motion

NEMA 1 WITH RIGHT ANGLE GEAR REDUCER

Page 13



| NUMBER OF CIRCUITS | A-R |
|--------------------|-------|
| 2 thru 4 | 10.34 |
| 5 thru 6 | 12.78 |
| 7 thru 8 | 15.22 |
| 9 thru 12 | 20.10 |

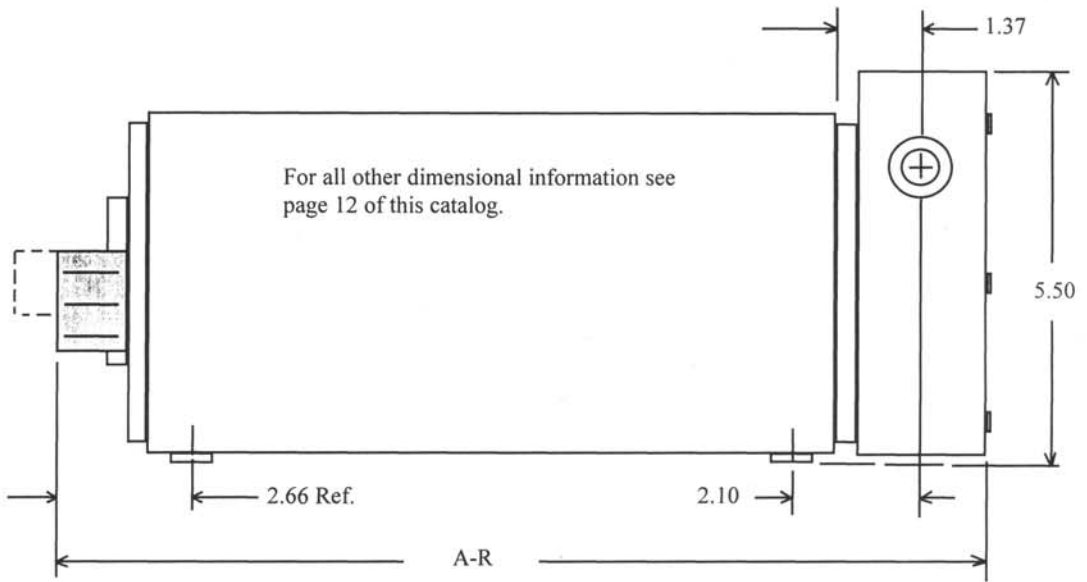


* For ratios 1:1 to 60:1. Consult factory on other ratios.

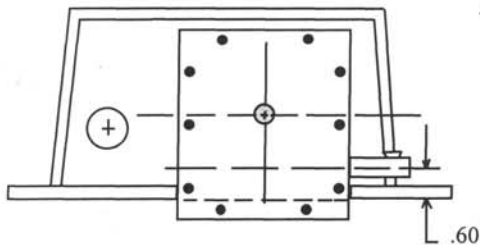
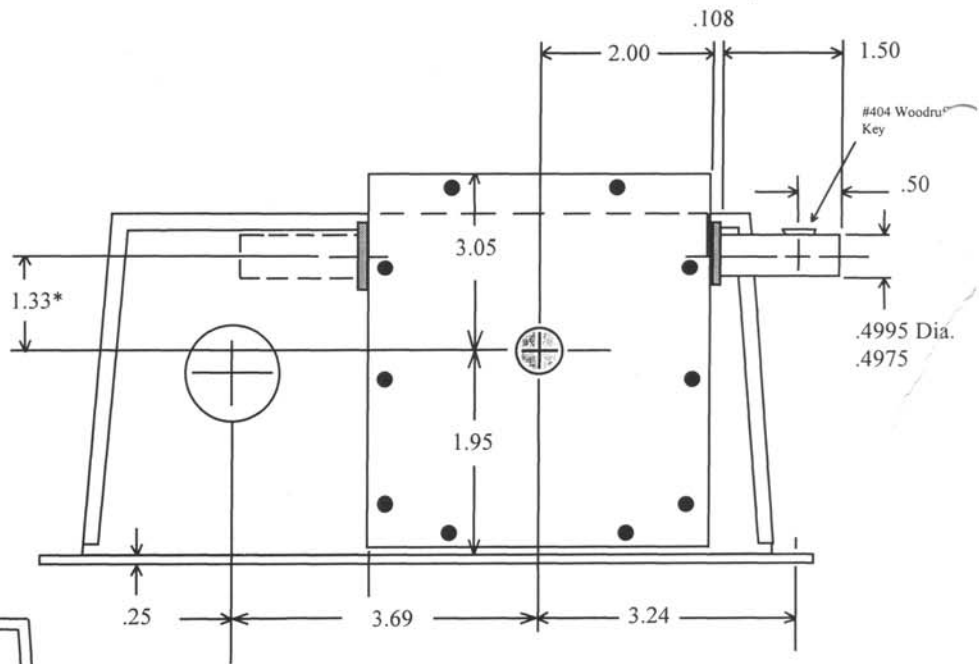
NOTE: Intrusion below base line in positions R2, R5, L5 or L8

K80 ROTATING CAM LIMIT SWITCHES

NEMA 12 WITH RIGHT ANGLE GEAR REDUCER



| NUMBER OF CIRCUITS | A-R |
|--------------------|-------|
| 2 thru 4 | 10.34 |
| 5 thru 6 | 12.78 |
| 7 thru 8 | 15.22 |
| 9 thru 12 | 20.10 |



* For ratios 1:1 to 60:1. Consult factory on other ratios.

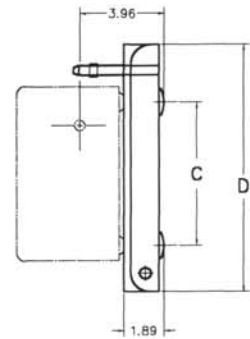
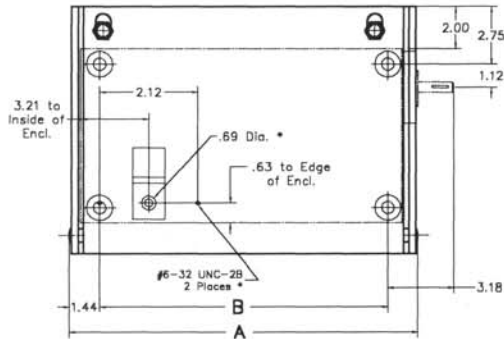
NOTE: Intrusion below base line in positions R2, R5, L5 or L8

Simple, Reliable Control of Rotary Motion

K80-CB DIMENSIONS

NEMA 1

Nema 1 K80 Series R.C.L.S. with Right Hand Shaft Mounted to Chain Break Base.



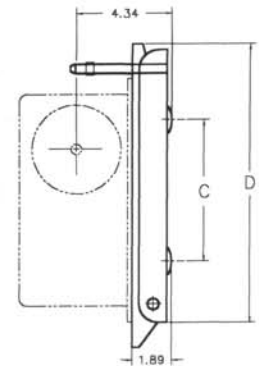
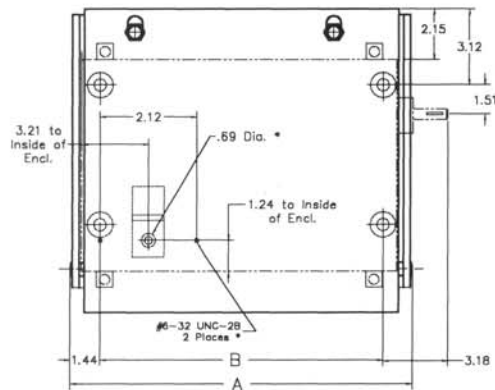
Dimensions shown apply when platform and base are parallel.

| No. of Circuits | A | B | C | D |
|-----------------|-------|-------|------|------|
| 2-4 | 7.31 | 4.4 | 5.00 | 9.75 |
| 5-6 | 9.75 | 6.86 | 5.00 | 9.75 |
| 7-8 | 12.19 | 9.30 | 5.00 | 9.75 |
| 9-12 | 17.07 | 14.18 | 5.00 | 9.75 |

* For safety switch to be drilled in enclosure when R.C.L.S. is purchased separately.

Nema 12

K80 Nema 12 R.C.L.S. with Right Hand Shaft Mounted to K80-CB.



Dimensions shown apply when platform and base are parallel.

| No. Of Circuits | A | B | C | D |
|-----------------|-------|-------|------|-------|
| 2-4 | 7.31 | 4.42 | 5.00 | 11.40 |
| 5-6 | 9.75 | 6.86 | 5.00 | 11.40 |
| 7-8 | 12.19 | 9.30 | 5.00 | 11.40 |
| 9-12 | 17.07 | 14.18 | 5.00 | 11.40 |

* For safety switch to be drilled in enclosure when R.C.L.S. is purchased separately.